



**DADO**  
manufacturing

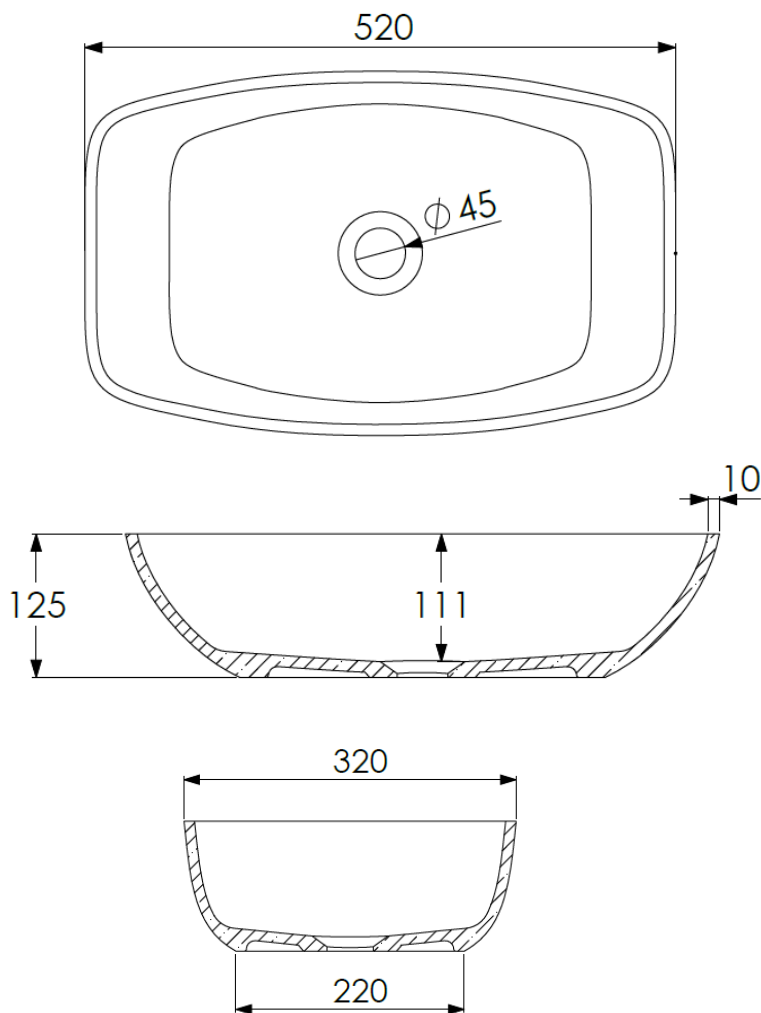
TIMELESS LUXURY

ENDURING QUALITY



## MORGANE BASIN | SWMBAS90

520 x 320 x 125mm



## Product Specification

Product Code: SWMBAS90

- |                     |                     |                       |                   |
|---------------------|---------------------|-----------------------|-------------------|
| • Size:             | 520x320x125mm       | • Base dimensions:    | 320x220mm         |
| • Top to waste:     | 111mm               | • Rim width:          | 10mm              |
| • Overflow:         | No Overflow         | • Waste diameter:     | 45mm              |
| • Material:         | DADOquartz          | • Weight:             | 6kg               |
| • Colour:           | Pearl White/Custom* | • Tap holes:          | Without tap hole  |
| • Finish:           | Matte/Gloss White   | • Packing dimensions: | 600x400x140mm     |
| • Matching bathtub: | Morgane bathtub     | • Shipping mass:      | 6kg               |
| • Warranty:         | Lifetime            | • European standard:  | NEN-EN 14516-2015 |



[www.dadoquartz.co.za](http://www.dadoquartz.co.za)



DADO Manufacturing pursues a policy of continual development and improvement and as such, product specifications may be changed without prior notice. All dimensions listed herein are only intended as a guide. Cast products are subject to size variants of +/- 5%. The exact colour and finish of the products may vary from those depicted in the brochure. \*In addition to the natural pearl white and gloss finish, DADO bathtubs and basins are now available in custom matte colours. DADO Manufacturing recommends that for absolute clarity in the selection of options, visit the nearest DADOquartz approved stockist.